

Data Sheet

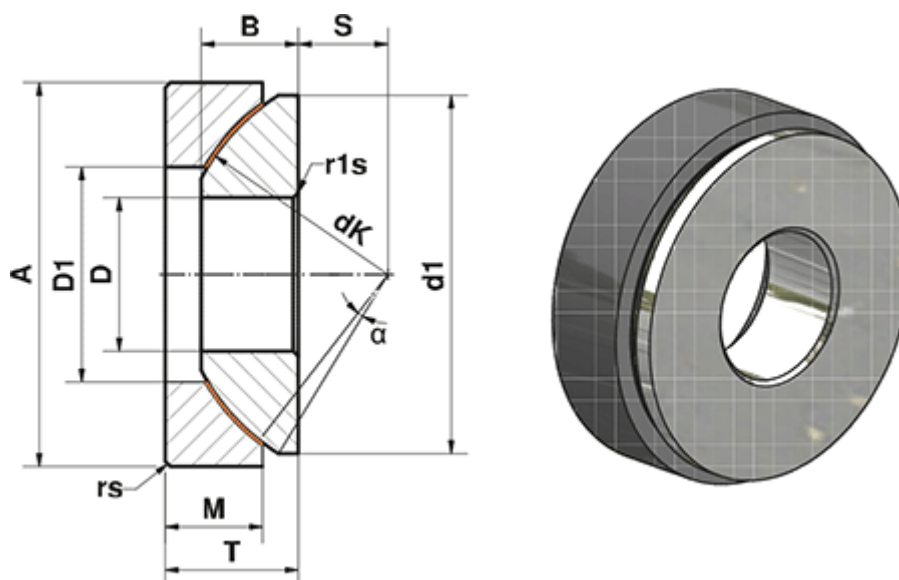


Article number: 03450200

Description: Fluro Heavy Duty Spherical Plain Bearing GE 200 AWE
Hole \varnothing 200

Note: 200

Measures



| | | | |
|---------------------|--------|---------------------|---------|
| A | = 240 | M | = 66 |
| a (degrees) | = 1 | rs, r1s min | = 1.5 |
| B | = 80 | S | = 70 |
| D | = 200 | Static load C0 (kN) | = 15350 |
| D1 | = 247 | T | = 87 |
| d1 min | = 320 | Weight (g) | = 35400 |
| dK | = 365 | | |
| Dynamic load C (kN) | = 9210 | | |